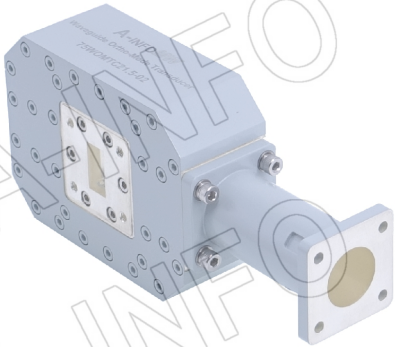


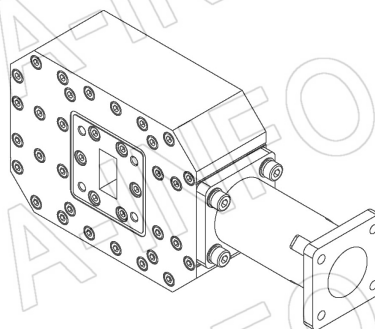
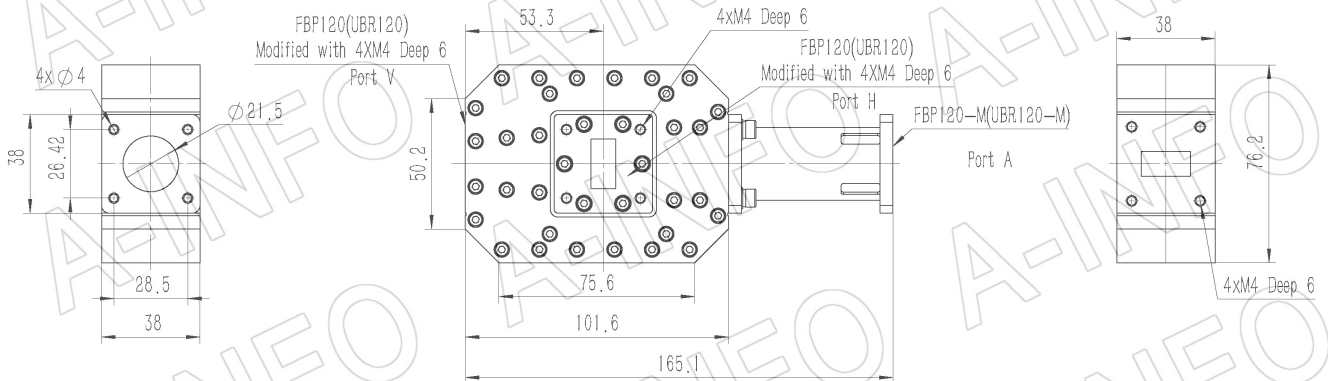
For reference only. See data sheet for the detailed specifications.

Technical Specification



EIA WR	WR75
Frequency Range(GHz)	10.0 – 15.0
Bandwidth	Full
Common Port	21.5mm/ 0.846" Circular WG
Insertion Loss(dB)	0.3 Max.
VSWR	1.5:1 Typ.
Cross Pol. Isolation(dB)	50 Typ. ; 40 Min.
Port to Port Isolation(dB)	40 Min.
Common Port Flange	FBP120-M(UBR120-M)
Flange	FBP120(UBR120) (Modified with 4xM4 Deep 6)
Material	Al
Finish	Silver Plated, Gray Paint
Size(mm)	165.1 x 38 x 76.2
Net Weight (Kg)	0.77 Around

Outline Drawing (Size: mm)



AINFO Inc.

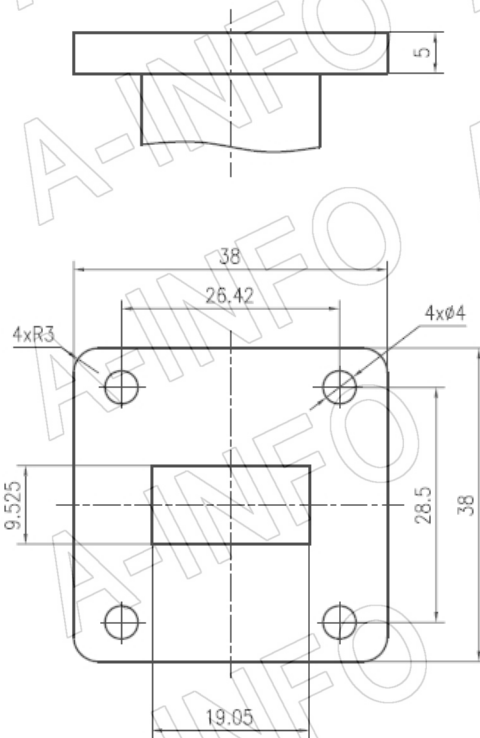
China(Beijing): Tel: (+86) 10-6266-7326,
China(Chengdu): Tel: (+86) 28-8519-2786,
USA : Tel: (+1) 949-639-9688,

Page 1 of 5

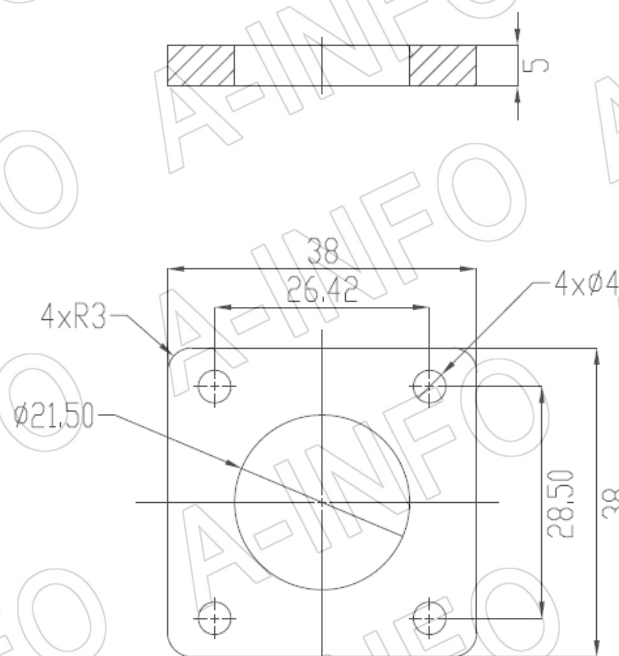
(+86) 10-6266-7327 Fax: (+86) 10-6266-7379
(+86) 28-8519-3044 Fax: (+86) 28-8519-3068
(+1) 949-639-9608 Fax: (+1) 949-639-9670

Website: www.ainfoinc.com
Email: sales@ainfoinc.com

Flange Drawing (Size: mm)



FBP120



FBP120-M

AINFO Inc.

China(Beijing): Tel: (+86) 10-6266-7326,
China(Chengdu): Tel: (+86) 28-8519-2786,
USA: Tel: (+1) 949-639-9688,

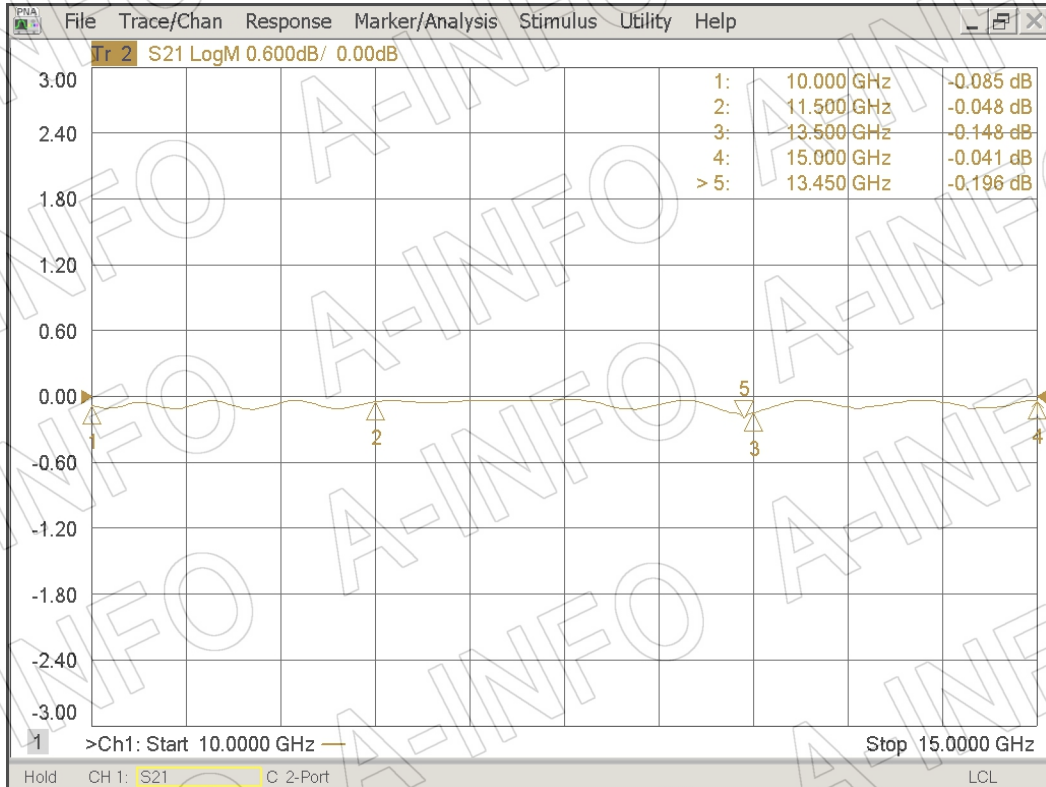
Page 2 of 5

(+86) 10-6266-7327 Fax: (+86) 10-6266-7379
(+86) 28-8519-3044 Fax: (+86) 28-8519-3068
(+1) 949-639-9608 Fax: (+1) 949-639-9670

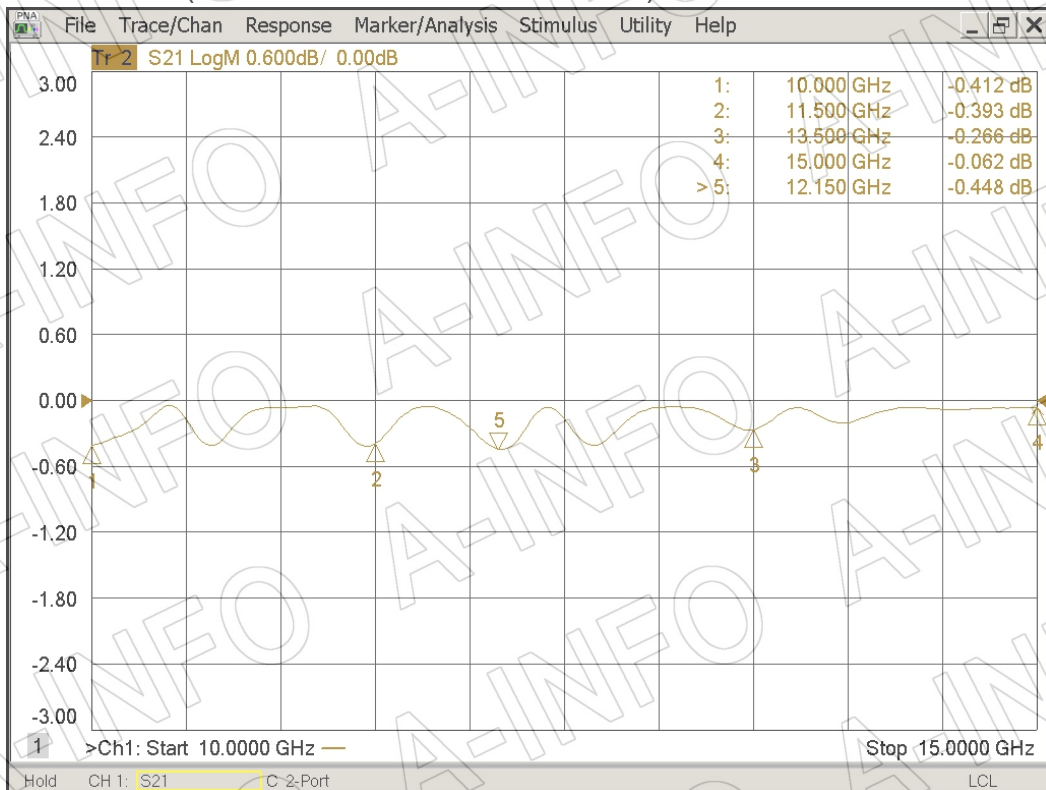
Website: www.ainfoinc.com
Email: sales@ainfoinc.com

Test Results

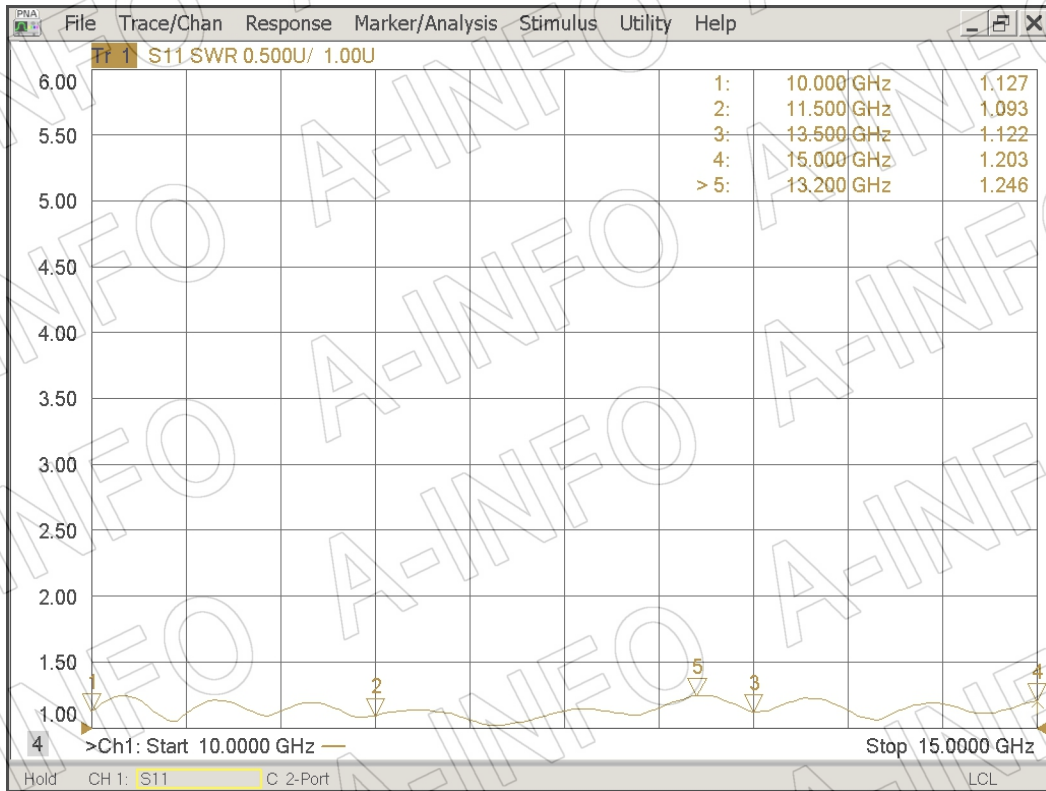
Port H_ Insertion Loss(Test with two OMT back to back)



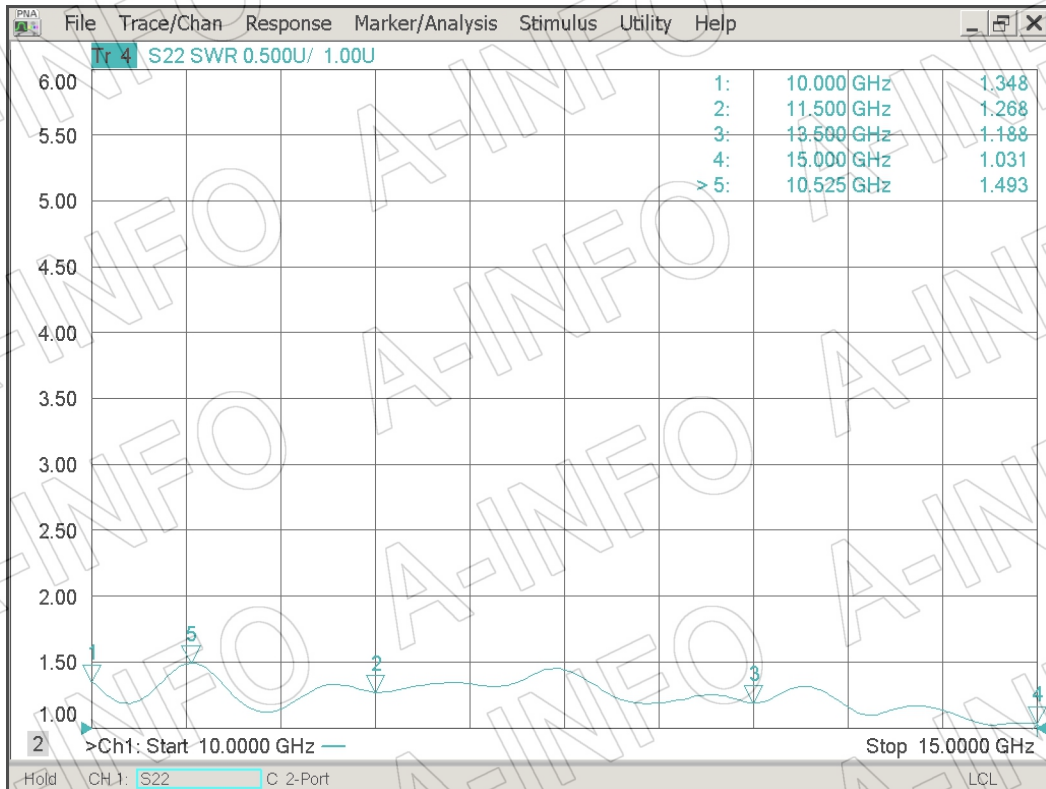
Port V_ Insertion Loss(Test with two OMT back to back)



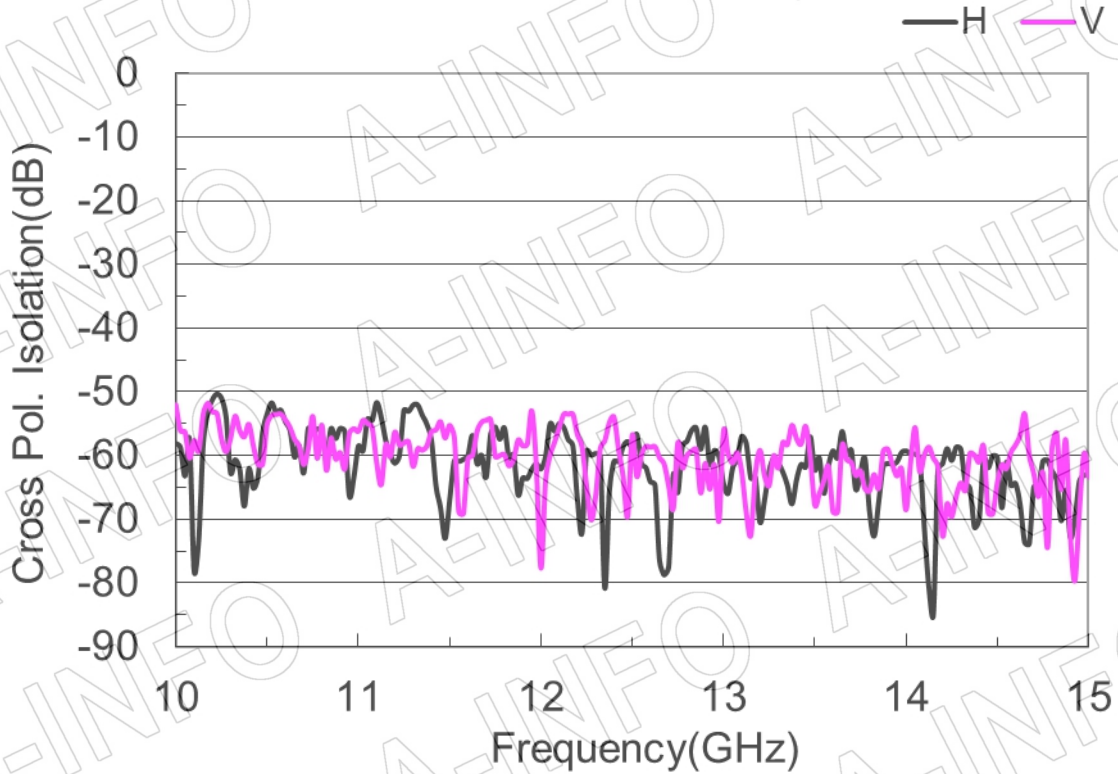
Port H_VSWR



Port V_VSWR



Cross Polarization Isolation



Port to Port Isolation

